

QCS-FG-A500-2

SMA Female

Features:
* Low VSWR

Applications:
* Wireless
* Radar
* Instruments
* Electronics



Electrical

Frequency: DC~26.5GHz
VSWR: 1.3 max.

Mechanical

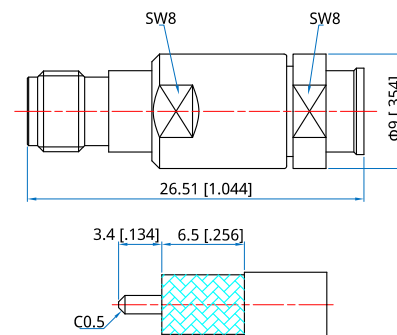
RF Connector: SMA Female
Mating Cable: QA500
Outer Conductor: Passivated Stainless Steel
Inner Conductor: Gold Plated Beryllium Copper

How To Order

QCS-FG-A500-2

Customization is available upon request.

Outline Drawings



Unit: mm [in]

Tolerance: $\pm 0.2\text{mm}$ [$\pm 0.008\text{in}$]